

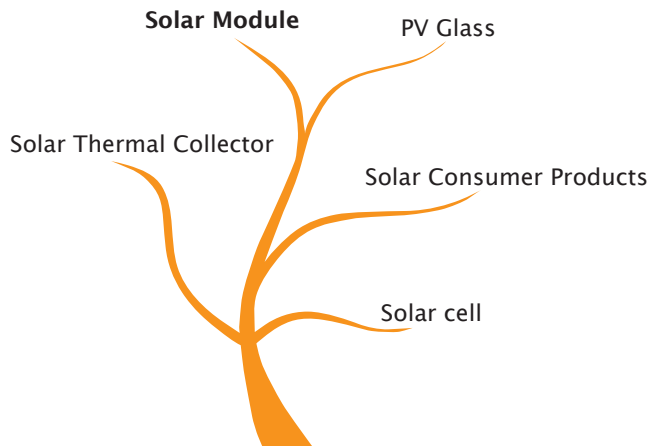
TPS-105S(72)-100W

100W
Mono Crystalline Solar Module



Not Your Average Solar Provider

Our Products Categories



Professional Solar Provider Since 1992

Key Feature

Plus power tolerance: $\pm 5\%$

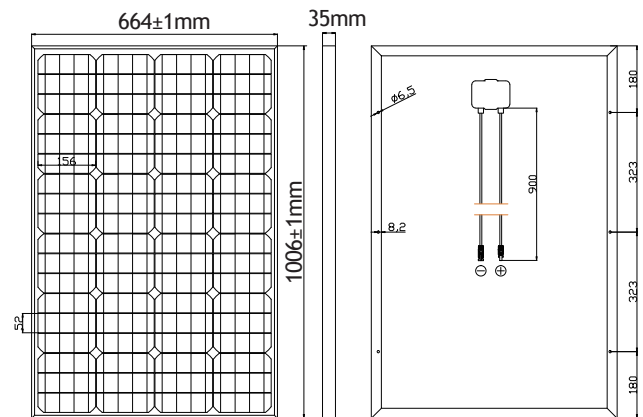
Independent research anti-reflective and self-cleaning glass surface reduces power loss from dirt and dust

Excellent performance under low light environments, create better kWh/kW ratio and produce average 2-3% more electricity

Best Quality

- Junction box and bypass diodes guarantee the modules free of overheating and "hot spot effect"
- 100%EL double-inspection ensures modules are defects free

Electrical Characteristics



MECHANICAL SPECIFICATION

Cell Type	Mono crystalline 156×52mm
Number of cells	72pcs
Dimensions(A×B×C)	664×1006×35mm
Front Glass	3.2mm Low iron tempered glass
Frame	Anodized aluminum alloy
Connector	MC4 Plug
Output Cables	Length 0.9m

PERFORMANCE AT STANDARD TEST CONDITION (STC:1000W/m²,25°C,AM1.5)

Module Series	TPS-105S(72)-100W
Maximum Power at STC(Pmax)	100W
Short Circuit Current(Isc)	5.90A
Open Circuit Voltage(Voc)	22.32V
Maximum Power Current(Imp)	5.56A
Maximum Power Voltage(Vmp)	18.0V

ABSOLUTE MAXIMUM LIMITS

Parameters	Unit	Rating
Operation temperature	°C	-40 to +85
Storage temperature	°C	-40 to +85

DEALER INFORMATION BOX